



CLUB STATION  
K6SON

# Short Skip

The Newsletter of

Sonoma County Radio Amateurs, Inc.

P.O. Box 116, Santa Rosa, CA 95402-0116 707-538-2931

<http://www.sonomacountyradioamateurs.com>

Repeaters:

English Hill: 147.315+ 88.5 / 224.480- 88.5 /  
441.375+ 88.5



REPEATER STATION  
W6SON

Volume 43, Number 5

May 2018

## *Motorcycle Mobile*

by John KM6LQZ



I have a 2m/440 mobile radio on my Victory Vegas motorcycle. I enjoy using it for public service at athletic events, and chatting with my riding companions.

The radio rides behind the saddle. To mate with existing bolt holes in the rear subframe, I made a model bracket out of aluminum flashing, translated that to a working drawing and paid a metal shop to fabricate it from sheet steel. The bracket is connected by four rubber vibration isolators to a watertight aluminum project box, mounted upside down with the radio inside and a whip antenna on top. Radio power comes from the motorcycle battery via ATC fuses and a watertight switch in the project box. The project box is connected to the negative power wire, but not the motorcycle frame.

Up front, there's a PTT button on the left handlebar, and a tank bag containing the radio control head, a homebrew adapter and a Sena SR10. The SR10 connects to a mic and earphones in my helmet via Bluetooth, so there's no wire to forget to unplug when I

dismount. My homebrew adapter isolates the radio's mic ground from the SR10's single ground for mic and PTT. It also contains a speaker and a mic socket, so I can operate when stationary without wearing my helmet.

The vibration on a motorcycle is hard on antennas, other riders have told me. Long antennas are prone to break from getting whipped around, and designs that have a coil in a capsule in the middle tend to break where the capsule is bonded to the whip. The Pulse/Larsen whip I'm using has a coil formed from the whip rod itself, which has held up so far. But the first time I took the rig on a long ride, I arrived with no whip at all! Vibration loosened the set screws that fasten it to the base coil, and the whole whip bounced out. It's somewhere in Oakland, I guess. I replaced the whip and put Loctite on the set screws, and I haven't lost that one yet.

If you'd like to know more, contact me at [KM6LQZ@ARRL.net](mailto:KM6LQZ@ARRL.net).



*[Continued on page 7...](#)*



## The Making of a General Part 4

My intentions were to finish up chapter five in this edition, however after talking with a few students I feel that more time should be spent on basic SSB Phone Transmitters as depicted in figure 5.11 on page 5-8 of the study guide.

The background for this discussion came from the question asked by a student who was very intently studying figure 5.11 and asked “why are all of these filter needed”, or at least that is how I remember the question. My response may not have answered the question completely, so let me attempt to clarify. Starting with AM phone basics, when an oscillator is modulated with an AM voice signal the resultant is the oscillator/carrier frequency plus two side bands, hence the basis AM broadcast signal.

In a single side band transmitter AM voice signals are mixed with the carrier oscillator in a balanced modulator. The balanced modulator through phase shifting reduces the carrier frequency to almost nil, don't worry it's still there, which results in a double side band suppressed carrier signal at the modulator's output. I have an idea what you thinking,

“So what?”

Here is the “so what?” Whenever signals are mixed the resultant will be the sum, difference and the fundamentals. Now this is where the first set of filters just after the balanced modulator comes into play. Their only function is to make sure the carrier is correctly suppressed and the desired side band is passed onto the mixer stage.

This gives you the operator the ability to select which ever side band, upper or lower that you want to transmit on by just tapping the USB or LSB key on your transceiver.

Once the side band frequency is selected it is mixed with the local oscillator in the process of generating the final output frequency, well almost. Now the second band pass filter after the mixer comes into play by cleaning up the output frequency, E.I. suppressing or filtering out unwanted mixing products.

It should be noted that both sets of filters help shape the final transmit band pass, E.I. how wide or narrow and how clean of a signal do you the operator want to use.

After all of the mixing and filtering is accomplished the last stage in the chain of events is the linear amplifier. It's only true function is to increase your transmit signal lever and not alter or distort the signal that is being amplified.

Hopefully this has shed a little more light on the subject of why all the filters.

Jeff Tonelli  
KI6PBF

---

## MAY PROGRAM

### HF Stations

by Joe K6AWA and Darryl KI6MSP

---

### JOIN ARRL, THE AMERICAN RADIO RELAY LEAGUE

The ARRL is the national organization of Amateur Radio. It represents Amateur Radio at International Conferences and before the FCC. Get the monthly QST magazine, insurance for your equipment and too many other benefits to mention here. Click <http://www.arrl.org/membership/>



If you are not getting the ARRL San Francisco Section news by e-mail and you are an ARRL member, be sure to subscribe under your Members Only information or go to this Web site:

<http://www.arrl.org/Groups/view/san-francisco>

## 2018 Club Officers

|                |                                 |        |
|----------------|---------------------------------|--------|
| President      | <a href="#">John Felton</a>     | KE5RI  |
| Vice President | <a href="#">Joe Fortuna</a>     | K6AWA  |
| Secretary      | <a href="#">Steve Bouchard</a>  | KK6VMZ |
| Treasurer      | <a href="#">Aaron Marroquin</a> | KK6ZDB |
| Director       | <a href="#">Fred Seitel</a>     | AE6SF  |
|                | <a href="#">Jeff Tonelli</a>    | KI6PBF |
| Past President | <a href="#">Iola Beckley</a>    | KK6HRE |

## Committee Lineup/Contacts

|                           |                           |  |
|---------------------------|---------------------------|--|
| Activities                |                           |  |
| Programs                  | Jeff Tonelli, KI6PBF      | jeff.tonelli@gmx.com   |
| Community Outreach        | Darryl Paule, KI6MSP      | ki6msp@arrl.net  |
| DX/Contesting             | Doug Payne, KF6LMB        | dougpayne1@earthlink.net   |
| Education                 | Cornell Chesnik, W6HMN    | w6hmn@sonic.net  |
| Emergency Services Liason | Pat Coyle, KG6JSL         | coylaw@sonic.net   |
| Field Day                 | Brian Torr, N6IYY         | n6iyy@arrl.net   |
| License Trustee           | John Felton, KE5RI        | jrfke5ri@aol.com   |
| Website Manager           | David Kraybill, KI6UGB    | shortskipeditor@gmail.com  |
| Membership                | Karen Stutz-Miller, K6KSM | scramembers@gmail.com  |
| Merchandise               | Dan Drummond, KK6VIQ      | <a href="mailto:danjdrummond@hotmail.com">danjdrummond@hotmail.com</a> |
| Public Service            |                           |  |
| Refreshments              | John Breckenridge, WB6FRZ | wb6frz@arrl.net  |
| Repeater                  | Jack Christensen, K6ROW   | K6ROW@sonic.net  |
| Roster Editor             | Bill Dornbush, KM6BYD     | bill@dornbush.net  |
| Volunteer Examiners       | Brian Torr, N6IYY         | n6iyy@arrl.net   |
| Weekly Email Blog         | Pat Coyle KG6JSL          | coylaw@sonic.net   |

## Short Skip & Web Staff

|                   |                        |                           |
|-------------------|------------------------|---------------------------|
| Short Skip Editor | David Kraybill, KI6UGB | shortskipeditor@gmail.com |
| Website Manager   | David Kraybill, KI6UGB | shortskipeditor@gmail.com |
| Web Staff         | David Pearson, K6DBP   | grecojava@gmail.com       |

|               |   |
|---------------|---|
| SCRA E-Mail   | K6SON@arrl.com  |
| SCRA Web site | <a href="http://www.sonomacountyradioamateurs.com">http://www.sonomacountyradioamateurs.com</a> |

## Short Skip Advertising Rates

|                                |                |
|--------------------------------|----------------|
| Business Cards                 | \$12 per month |
| 1st Quarter Column             | \$13 per month |
| Each Additional Quarter Column | \$4 per month  |
| Full page (one side)           | \$35 per month |
| Pre-printed inserts (each)     | \$35 per month |

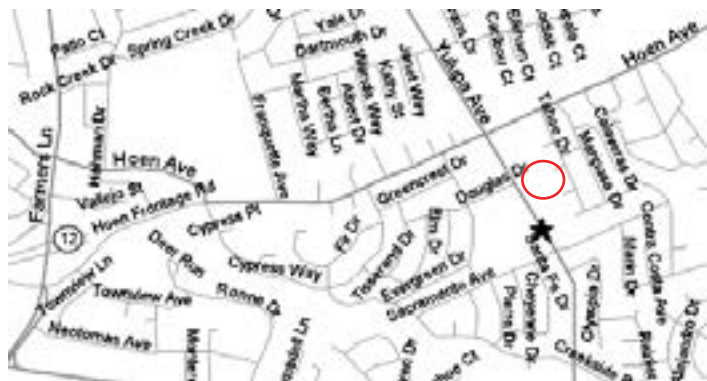
**Short Skip** is published monthly and copyright 2015 by the Sonoma County Radio Amateurs, Inc. Permission to reprint articles is granted provided the source is properly credited. Items printed do not necessarily represent the views of the SCRA or its editors. Letters, photos and articles sent to Short Skip are subject to editing and may or may not be printed.



## SCRA Club Meetings

The club normally meets the first Wednesday of each month, socially at 6:30 pm, program starting at 7:00 pm. Exceptions are holidays or other big events.

Meeting location:  
Luther Burbank Art & Garden Center  
2050 Yulupa Avenue  
Santa Rosa, CA



**All are welcome!**

Please join us at our next meeting. Anyone interested in Amateur Radio is eligible for membership. A membership application is included in this newsletter. For more information, contact any SCRA officer, director or member. Hungry before the meeting? Join us for dinner! We Meet at IHOP restaurant, 4th and Farmers Lane, Santa Rosa. People start showing up at 5:15 PM. No RSVP is required.

## Board of Directors Meeting

The SCRA Board of Directors will meet monthly on the Second Wednesday at the IHOP Restaurant, Fourth Street, Santa Rosa (in the Safeway/CVS Pharmacy center). All members are welcome to attend, no reservations necessary. Arrive around 5:15- 5:30pm for dinner. Meeting starts at 6:00pm.

## LOANER RADIOS AVAILABLE

The Club has a variety of radios available to members to try out and improve their skills. We have a Kenwood T590 SG HF radio; Yeasu FT 2900 2 meter mobile; Yeasu FT1D, an analog/digital 2 meter and 440mhz HT; Yeasu FT 60, a 2 meter and 440 mhz HT; and a TYT TH-F5 VHF 2 meter HT. Trying these out is an excellent way to learn some radio and test before you buy. Contact Joe, K6AWA, at [k6awa@yahoo.com](mailto:k6awa@yahoo.com) with your request. Joe will forward an information form to you by return email.

## UPGRADE TO GENERAL OR AMATEUR EXTRA CLASS

Get more privileges and enjoyment from your Ham Radio Hobby. [Mentoring assistance](#) is available. Contact Cornell Chesnik, W6HMN, SCRA Education Chair, at [w6hmn@sonic.net](mailto:w6hmn@sonic.net).

### Tuesday Night Net

The Sonoma County Radio Amateurs' net meets Tuesday at 7:00 PM on the SCRA repeater, 147.315, positive offset, PL 88.5.

All members and guests are invited to check in. The Net includes updates on SCRA activities, and News-line, the amateur radio community news service.

Anyone wishing to work as net control should contact lola kk6hre, at K6SON@ARRL.NET for assignment. Script and logs are available on the Website at <http://sonomacountyradioamateurs.com/wp/resources/net-script/>



## The Weekly 160 Meter Net

Announcing the new 160 meter net which runs from 8:45pm to 9:30pm Tuesday nights, immediately following the 10 meter net hosted by Joe K6AWA. Tune your radio frequency to 1.900 Mhz. LSB. 160 meters requires a General or above license to transmit.

## Your New Tuesday Night Net Line-up

7:00pm Membership Net on the SCRA repeater, 147.315, positive offset, PL 88.5

**10 Meter Net** - starts at 8:00pm (new time) following the regular SCRA net Tuesday nights and ends at 8:45pm. Set your dial to 28,403.00 SSB, USB. Please note that all license classes (including technician) are welcome.

**New! 160 Meter Net** - runs from 8:45pm to 9:30pm. Tune your radio frequency to 1.900 Mhz. LSB. 160 meters requires a General or above license to transmit.



### Weekly SBARA Youth Net New Day and Time!

- For young people 18 and under
- Licensed youth or youth with a licensed control operator are welcome to check-in
- Check-in via EchoLink, if you are outside of the area
- Adults can check-in towards the end of the Net to answer questions and mentor the youth.

**Please join our new, 13-year-old net control operator, Truman Lindsey, KM6AQS, and help us grow this important Net for young hams!**

- SBARA Youth Net
- Every Tuesday evening, 6:30pm (1830), PACIFIC
- N6NFI repeater, Palo Alto, CA (145.230 MHz, -600 kHz, PL 100 Hz.)
- EchoLink Station: KR6DD-R

Steve Wilson KG6HJU  
South Bay Amateur Radio Association  
Fremont, CA  
[kg6hju@arrl.net](mailto:kg6hju@arrl.net)

## 2018 SCHEDULE OF EVENTS

Check the [Club website](#) for details

Sat 6/09 TH-6 & Crank-Up Mast Training Session

Education

Sun 6/10 Monte Rio Vineman

Bicycle

Sat 6/16 Terrible Two

Bicycle

Sat 6/16 ARRL Kid's Day

On the Air

Sat 6/23 Field Day (6/22-6/24)

Camping

Sat 7/21 VE Testing

Education

Sat 8/12 Tour d'Organics

Bicycle

Fri 8/17 Mini-DX (8/17-8/19)

Camping

Sat 8/25 Tour De Fox

Bicycle

Sat 9/15 VE Testing

Education

Sat 9/22 Waves to Wine

Bicycle

Sat 9/22 PCAM (Wings over Wine Country)

Public Info

Sun 9/23 Waves to Wine

Bicycle

Sun 9/23 PCAM (Wings over Wine Country)

Public Info

Sat 10/6 Levi's GranFondo

Bicycle

Sat 10/20 JOTA (Jamboree On The Air)

On the Air

Sat 10/27 Bay Area Science Festival

Outreach

Sat 11/17 VE Testing

Education

Membership Map -New website feature

Click to try it.

### Membership Map

[Click here for an interactive online map of SCRA members.](#)



## 2018 PROGRAM LINE-UP

Iola and I are working jointly on a series of over view programs for the 2018 calendar year that are intended to promote the idea of encouraging our recently licensed Technician Class operators to advance to General Class license. Also if any existing or returning General class operators want to get back up to speed on the latest license requirements they would be more than welcome. As stated before this program is intended to be a brief overview taking 30 to 45 minutes to present during the first half of the general club meeting, with interested participants being teamed up with an mentor.

Based on the current A.R.R.L. General Class License Manual the monthly overview program will cover the following topics as listed below (Subject to change):

February: Chapter 2 Procedures and Practices and Chapter 3 Rules and Regulations.

March and April: Chapter 4 Components and Circuits.

May: Chapter 5 Radio signals and Equipment.

June: Field Day

July: Chapter 6 Digital modes.

August: Chapter 7 Antennas.

September: Chapter 8 Propagation.

November: Chapter 9 Electrical and R.F. Safety.

We will be looking for as many volunteers as possible to take on presenting each topic based upon their interest and skill set as well as mentors. So in a nut shell, "Come one come all please help make this program a success."

Jeff Tonelli

KI6PBF



July 20 - 22, 2018

Nevada State Convention in Reno, NV

NVCON 2018 Returns to Reno, Nevada at Boomtown Casino Hotel July 20 through 22, 2018.

Registration is open along with hotel information and forums that are planned to be offered this year.

Please visit our website at <http://nvcon.org> for updates as we are still working on addition some great forums, presenters and activities.

73,

Nevada State Convention Planning Committee

## FIELD DAY 2018 NEEDS YOU!!

Listen up, Hams. The SCRA's Field Day Committee is looking for volunteers for Field Day 2018. We have a lot of new members who have not experienced Field Day and have no idea what to expect. Well, let me edify you a little.

Field Day encompasses several aspects of amateur radio, antennas, and power sources that will be used in an emergency, such as an earthquake. It is also a way to test our readiness and to share our capabilities with the public. Field Day is also an opportunity for new members to gain a whole lot of experience in a brief period of time.

Field Day weekend starts at 5pm (1700 hrs.) on Friday, June 22 for setting up; operating starts at 11am (1100 hrs.) on Saturday, June 23 and ends at 11am (1100 hrs.) on Sunday. Yes, we operate in shifts for 24 hours.

And if you like, you can camp out Friday and/or Saturday night.

After all the operating is done, we start tearing it all down which takes until about 2pm (1400 hrs.) on Sunday. Activities, besides operating radios, are pizza Friday night, the Educational Activity and BBQ dinner on Saturday, and cold watermelon after take-down on Sunday. The snack table stays busy with members bringing items to share. Sometimes there is coffee and donuts in the morning and a lunch run on Saturday. We wouldn't want anyone to go hungry!

By volunteering to help on one or more of the teams, you can progress with your own training in amateur radio. You have got to get out of your own safety zone and open up your brain to learning and our advanced members can help you do this.

So, go to the SCRA Website (<http://sonomacountyradioamateurs.com/wp/events/field-day/>) and sign up for one or more of the Field Day teams. You will be happy you did!

Iola kk6hre  
Field Day Volunteer Coordinator

## SCRA Website Forum

So how many of you know that the SCRA website has a forum page? Its there for all members to use.

There is a Section for Activities, Announcements and News, Public Service, and Technical Issues.

To visit the site,

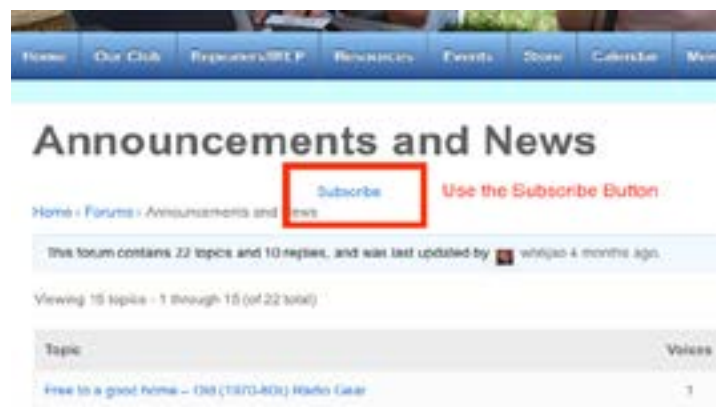
Navigate to the SCRA website,

Log in as a member

Click on Member Area, then [Forums](#)

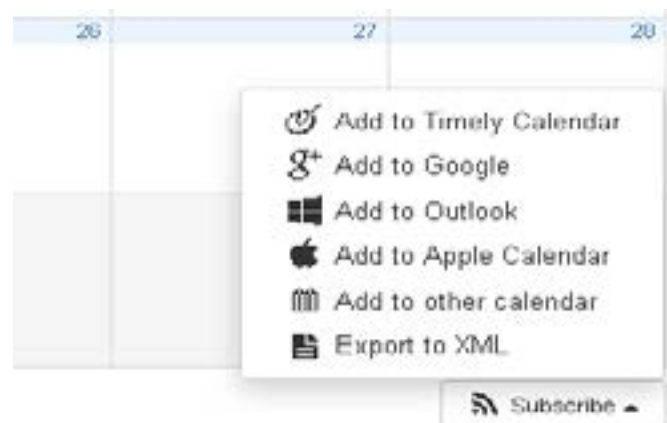
While you are on the individual Forum pages, make sure to click on SUBSCRIBE. This will send you an email when a new question gets posted.

Don't worry about your inbox getting flooded with junk emails. Only valid members can post to the site.



## How to Subscribe to the SCRA Calendar

Subscribe to the SCRA calendar and automatically import event dates into your electronic calendar(s). Go to the calendar page on the SCRA website and click the Subscribe button in the corner. Select the type of calendar you want to subscribe to. You will be taken to your sign-in page to finish adding the subscription.



...Motorcycle Mobile continued from page 1



Tank Bag

## CONTEST CORNER

Hello testers, wannabes, and the curious! NQ6E here looking at all the contests for the month of May. There will be plenty of activity on the bands during these times as shown on ARRL's Contest Corral. Notice there are no ARRL sponsored contests this month, the only month omitted by them this year.

Let's get right in to one of the most crucial elements of contesting-the exchange. Specific to each individual contest, you find out what it is from the contest sponsor's rules under "Exchange". Find it, write it down, practice it, and be ready to send it regardless of the mode you are using. A concise, accurate exchange will always be appreciated by those asking and those just listening for this critical piece of information. When both parties copy the exchange correctly you both can log the contact; assuming both calls are copied correctly as well.

Make sure you check out this month's individual state contests. They are fairly laid back and the exchange is short and easy to send. The New England QSO Party will get you any state within that geographical area. Coast to Coast Qrp anyone?

The SKCC and FISTS folks have a contest every month for those interested in casual CW operating in a contest environment. Most all SKCC and FISTS ops will do their best to help you. They want you to continue learning this challenging and rewarding mode of operating. A must for new CW ops to just listen in before getting on the air.

The CQ WW WPX Contest, CW is major contest when all the big time testers are on the air worldwide. Fast and furious with rapid fire exchanges. So you want to run with the big boys and girls? The SSB version takes place in March.

Do not forget to check out <http://www.contestcalendar.com>

Contact [nq6e@arrl.net](mailto:nq6e@arrl.net) for questions/comments/suggestions regarding Contest Corner.

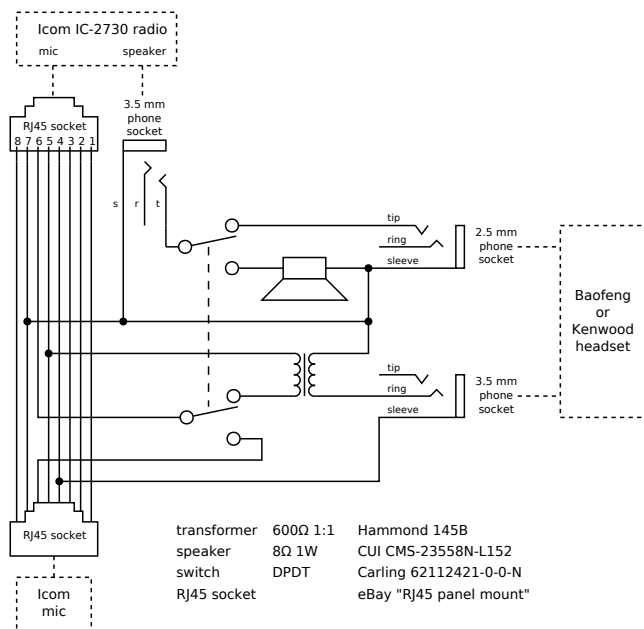
72/73, NQ6E

For additional contest calendars and resources check:

[SM3CER Contest Service](#)

[ARRL Contests Page](#)

[Contesting.com](#)



Icom Headset Adapter



Bruce Draper, AA5B, aa5b@gmail.com

## Contest Corral

May 2018

Check for updates and a downloadable PDF version online at [www.arrl.org/contests](http://www.arrl.org/contests).

Refer to the contest websites for full rules, scoring information, operating periods or time limits, and log submission information.

|    | Start - Finish |           |                |   |           |  |  |  |
|----|----------------|-----------|----------------|---|-----------|--|--|--|
|    | Date-Time      | Date-Time | Bands          | Contest Name                            | Mode      | Exchange                                 | Sponsor's Website  |  |
| 1  | 1300           | 1 1900    | 3.5-28         | AGCW QRP/QRP Party                      | CW        | RST, serial, class (A or B)              | <a href="http://www.agcw.org/index.php/en">www.agcw.org/index.php/en</a>                                       |  |
| 3  | 1700           | 3 2100    | 28             | NRAU 10-Meter Activity Contest          | CW Ph Dig | RS(T), 6-char grid square                | <a href="http://www.nrau.net/activity-contests">www.nrau.net/activity-contests</a>                             |  |
| 3  | 2300           | 4 0300    | All            | MIE 33 Contest                          | CW Ph     | RS(T), age, "ME" or "MEJ" if JA          | <a href="http://ztv.ne.jp/isoda/33/index-e.html">ztv.ne.jp/isoda/33/index-e.html</a>                           |  |
| 5  | 0000           | 6 1600    | 50, 144        | Araucaria World Wide VHF Contest        | CW Ph     | RS(T), 6-char grid square                | <a href="http://www.avhfc.com">www.avhfc.com</a>   |  |
| 5  | 0001           | 6 2359    | 28             | 10-10 International Spring Contest, CW  | CW        | Name, mbr or "0," SPC                    | <a href="http://www.ten-ten.org">www.ten-ten.org</a>   |  |
| 5  | 0600           | 6 2359    | 2.3 GHz and up | SBMS 2.3 GHz and Up Contest             | CW Ph Dig | 6-char grid square                       | <a href="http://n6nb.com/sbmsrules.htm">n6nb.com/sbmsrules.htm</a>   |  |
| 5  | 0800           | 5 1400    | 902 and up     | Microwave Spring Sprint                 | CW Ph Dig | 6-char grid square                       | <a href="http://sites.google.com/site/springvhfupsprints">sites.google.com/site/springvhfupsprints</a>         |  |
| 5  | 1200           | 6 1159    | 3.5-28         | ARI International DX Contest            | Ph CW Dig | RS(T), 2-letter province or serial       | <a href="http://www.ari.it">www.ari.it</a>   |  |
| 5  | 1300           | 6 0700    | 1.8-144        | 7th Call Area QSO Party                 | CW Ph Dig | RS(T), state/county code or SPC          | <a href="http://ws7n.net/7QP">ws7n.net/7QP</a>   |  |
| 5  | 1500           | 6 0300    | 1.8-28         | Indiana QSO Party                       | CW Ph     | RS(T), county or SPC                     | <a href="http://www.hdxcc.org/inqp">www.hdxcc.org/inqp</a>   |  |
| 5  | 1700           | 5 2100    | 3.5-28         | FISTS Spring Slow Speed Sprint          | CW        | RST, SPC, name, mbr or power             | <a href="http://fistsna.org">fistsna.org</a>   |  |
| 5  | 1700           | 6 2359    | 1.8-VHF        | Delaware QSO Party                      | CW Ph     | RS(T), county or SPC                     | <a href="http://www.fsarc.org">www.fsarc.org</a>   |  |
| 5  | 2000           | 6 2359    | 3.5-28         | New England QSO Party                   | CW Ph Dig | RS(T), county/state or SPC               | <a href="http://www.neqp.org">www.neqp.org</a>   |  |
| 7  | 1900           | 7 2030    | 3.5            | RSGB 80-Meter Club Championship, SSB    | Ph        | RS, serial                               | <a href="http://www.rsgbcc.org/hf">www.rsgbcc.org/hf</a>   |  |
| 8  | 0200           | 8 0400    | 3.5-28         | ARS Spartan Sprint                      | CW        | RST, SPC, power                          | <a href="http://arsqrp.blogspot.com">arsqrp.blogspot.com</a>   |  |
| 12 | 1200           | 13 1159   | 1.8-28         | CQ-M International DX Contest           | CW Ph     | RS(T), serial                            | <a href="http://www.qrz.ru/contest">www.qrz.ru/contest</a>   |  |
| 12 | 1200           | 13 1200   | 3.5-28         | VOLTA WW RTTY Contest                   | Dig       | RST, serial, CQ zone                     | <a href="http://www.contestvolta.com">www.contestvolta.com</a>   |  |
| 12 | 1200           | 13 2359   | 1.8-50         | SKCC Weekend Sprintathon                | CW        | RST, SPC, name, mbr or "none"            | <a href="http://www.skccgroup.com">www.skccgroup.com</a>   |  |
| 12 | 1400           | 13 0200   | 3.5-28, 144    | Arkansas QSO Party                      | CW Ph Dig | RS(T), county or SPC                     | <a href="http://www.arkqp.com">www.arkqp.com</a>   |  |
| 12 | 1700           | 12 2100   | 3.5-28         | FISTS Spring Unlimited Sprint           | CW        | RST, SPC, name, mbr or power             | <a href="http://fistsna.org">fistsna.org</a>   |  |
| 12 | 2300           | 13 0300   | 50             | 50 MHz Spring Sprint                    | CW Ph Dig | 4-char grid square                       | <a href="http://sites.google.com/site/springvhfupsprints">sites.google.com/site/springvhfupsprints</a>         |  |
| 13 | 1000           | 13 1400   | 7              | WAB 7 MHz Phone                         | Ph        | RS, serial, WAB square or country        | <a href="http://wab.intermip.net">wab.intermip.net</a>   |  |
| 14 | 0000           | 14 0200   | 1.8-28         | 4 States QRP Group Second Sunday Sprint | CW Ph     | RS(T), SPC, mbr or power                 | <a href="http://www.4sqr.com">www.4sqr.com</a>   |  |
| 16 | 1900           | 16 2030   | 3.5            | RSGB 80m Club Championship, Data        | Dig       | RST, serial                              | <a href="http://www.rsgbcc.org/hf">www.rsgbcc.org/hf</a>   |  |
| 17 | 0030           | 17 0230   | 3.5-14         | NAQCC CW Sprint                         | CW        | RST, SPC, mbr or power                   | <a href="http://naqcc.info">naqcc.info</a>   |  |
| 18 | 0900           | 20 1700   | 3.5-28         | Portuguese Navy Day Contest             | CW Ph Dig | RS(T), mbr or serial                     | <a href="http://nra.pt/portuguese-navy-day-contest-2018.html">nra.pt/portuguese-navy-day-contest-2018.html</a> |  |
| 18 | 1800           | 18 2159   | 1.8, 3.5       | Slobozhansky Sprint Contest             | CW Ph     | Serial, QTH (URDA, RDA, province, state) | <a href="http://ut0lwr.wixsite.com/gotdr-en">ut0lwr.wixsite.com/gotdr-en</a>                                   |  |
| 19 | 0600           | 19 2100   | 3.5-28         | UN DX Contest                           | CW Ph     | RS(T), district code or serial           | <a href="http://undxc.kz/bez-rubriki/2015-2">undxc.kz/bez-rubriki/2015-2</a>                                   |  |
| 19 | 0800           | 20 1100   | 3.5            | NZART Sangster Shield Contest           | CW        | RST, serial, Branch (if ZL)              | <a href="http://www.nzart.org.nz">www.nzart.org.nz</a>   |  |
| 19 | 1200           | 20 1200   | 1.8-28         | His Majesty King of Spain Contest, CW   | CW        | RST, EA province or serial               | <a href="http://concursos.ure.es/en">concursos.ure.es/en</a>   |  |
| 19 | 1200           | 20 1200   | 3.5-28         | EU PSK DX Contest                       | Dig       | RST, EU area code or serial              | <a href="http://www.eupsk.com">www.eupsk.com</a>   |  |
| 19 | 1200           | 20 1200   | 3.5-28         | Aegean RTTY Contest                     | Dig       | RST, serial                              | <a href="http://www.aegeandxgroup.gr">www.aegeandxgroup.gr</a>   |  |
| 19 | 1600           | 19 2159   | 1.8-50         | Feld Hell Sprint                        | Dig       | RST, mbr, SPC, grid                      | <a href="http://sites.google.com/site/feldhellclub">sites.google.com/site/feldhellclub</a>                     |  |
| 19 | 2100           | 20 0200   | 3.5            | Baltic Contest                          | CW Ph     | RS(T), serial                            | <a href="http://lrsf.it/bcontest/english">lrsf.it/bcontest/english</a>   |  |
| 21 | 0100           | 21 0300   | 1.8-28         | Run for the Bacon QRP Contest           | CW        | RST, SPC, mbr or power                   | <a href="http://qrptest.com/pigrun">qrptest.com/pigrun</a>   |  |
| 23 | 0000           | 23 0200   | 1.8-28         | SKCC Sprint                             | CW        | RST, SPC, name, mbr or power             | <a href="http://www.skccgroup.com">www.skccgroup.com</a>   |  |
| 24 | 1900           | 24 2030   | 3.5            | RSGB 80-Meter Club Championship, CW     | CW        | RST, serial                              | <a href="http://www.rsgbcc.org/hf">www.rsgbcc.org/hf</a>   |  |
| 26 | 0000           | 27 2359   | 1.8-28         | CQ WW WPX Contest, CW                   | CW        | RST, serial                              | <a href="http://www.cqwp.com">www.cqwp.com</a>   |  |
| 28 | 0000           | 28 0100   | 1.8-28         | QRP ARCI Hootowl Sprint                 | CW        | RST, SPC, mbr or power                   | <a href="http://www.qrparci.org">www.qrparci.org</a>   |  |

All dates refer to UTC and may be different from calendar dates in North America. No contest activity occurs on the 60-, 30-, 17-, and 12-meter bands. Mbr = Membership number. Serial = Sequential number of the contact. SPC = State, Province, DXCC Entity. XE = Mexican state. Listings in blue indicate contests sponsored by ARRL or NCJ. The latest time to make a valid contest QSO is the minute listed in the "Finish Time" column. *Data for Contest Corral is maintained on the WA7BNM Contest Calendar at [www.contestcalendar.com](http://www.contestcalendar.com) and is extracted for publication in QST 2 months prior to the month of the contest. ARRL gratefully acknowledges the support of Bruce Horn, WA7BNM, in providing this service.*



## Field Day – An Opportunity to Strut our Stuff

When the ARRL proclaimed the first “International Field Day” in 1933, the purpose given was: “Besides offering an opportunity to get out in the open in this fine spring weather, the real object of this contest is to test “portables” wherever they may be available. If successful we want to make it an annual affair.”

Nowadays, Field Day is on the fourth full weekend in June. So this year it will be June 23 and June 24.

But it is still a means of testing our ability to operate at sites away from our normal stations and working “off the grid”.

Perhaps most importantly, however, it gives us a chance to demonstrate these capabilities to the general public.

On top of all that, it gives us a chance to socialize. We can even camp out on Saturday night.

Which brings us to Field Day 2018. Although June 23/24 may seem like a ways off, it's not too early to start planning. The next planning session is Saturday, May 19, 10:00 am to 11:30am, Youth Community Park.

Our first order of business will be to assign leaders to the various volunteer positions. Check out the Field Day website for the complete list (<http://sonomacountyradioamateurs.com/wp/events/field-day/>). You don't have to be a seasoned ham to be eligible. This is an event for all hams, regardless of skill level, to learn how to setup and operate HF and VHF stations in the field.

There will also be an Educational Activity on Saturday, June 23, at 2pm. We are looking for ideas for what this activity will be, so if you have any suggestions, please let me know.

This year, we will be dedicating one station to operating digital modes. We will also have one station each dedicated to CW, SSB, VHF/UHF, and GOTA.

What's “GOTA”? GOTA stands for “Get On The Air”. It is an opportunity to introduce new hams, or

even non-hams, to operating on the HF bands. Hams that have been licensed for several years, but have been generally inactive on HF are also eligible to participate.

There will also be a barbeque dinner Saturday evening, starting around 5:30pm,

This year we are also hoping to staff a “Tech Bench” where hams can come and get some help on things such as how to install Anderson Power Poles, simple radio checks, and mobile antenna installation checks. If you think you could help in this area, please let me know.

We will also be powering at least two stations from solar power.

As you can see, Field Day is an event-packed weekend. If you are looking to learn something, anything, about amateur radio, this will be the weekend to do it.

If you can make it to our next planning meeting on Saturday, March 17 at 10am, wonderful. If you can't make it, please send me an e-mail with any suggestions you may have or how you think you can help.

Let's make Field Day 2018 even better than last year!

Brian Torr, N6IYY  
Tel: (707) 575-5871 (home)  
(707) 953-0377 (cell)  
[n6iyy@arrl.net](mailto:n6iyy@arrl.net)



## SONOMA COUNTY RADIO AMATEURS MEMBERSHIP MEETING AGENDA

April 4, 2018

5:30pm – 6:30pm = The Making of a General session held by Jeff ki6pbf with two new members. Erin Casteel and Nick Allen km6rqg.

6:30pm – 7:00pm Social Time

7:00pm – 8:30pm = Meeting agenda items

1. Establish quorum; Introduce Board Members
  - a. Present: John ke5ri, Iola kk6hre, Joe k6awa, Aaron kk6zbd, Jeff ki6pbf, Fred ae6sf.
  - b. Absent: Steve kk6vmz.
2. Introduce New Members and Guests:
  - a. New Members: John Meyer KM7RJW, Nick Allen KM6RQG, Erin Casteel, Phil Hatfield aj6ci, Sean Butler KM6RPZ,
  - b. Guests: Marilyn Fox KM6ROA

### 3) Net Control for

April 10 = Charles kg6ctt

April 17 = Darryl ki6msp

April 24 = Keith ag6ci

May 1 = Cornell w6hmn

3. ANNOUNCEMENTS, NEW CALLS, UPGRADES, LIES AND BRAGS. Doug bragged about his contact with a little island off the coast of Baha; Joe k6awa reported that the 160m net was getting great reception from all over the country.

5) Program: Keith Payea ag6ci gave a great program on Radio Astronomy.

### 10 MINUTE BREAK

6) Doug LMB moved that the Minutes of Previous Meeting as published in Short Skip be accepted. Pat kg6jsl seconded the motion. Motion passed.

### 7) OFFICER AND CHAIRPERSONS BRIEF REPORTS –

Treasurer:

Activities: Jeff & Iola = Iola reports that a small group of Rail Riding Radio committee made a trip to Calistoga to look over the trains. Bryan n6iyy made

observation and took measurements to see how much coax and got some ideas on where to mount antennas. Iola asked if July or October would be a better time to make the Willits trip for the Skunk Train. October appeared to be more desirable. More at a later date. Community Outreach: Darryl KI6MSP = April events are the Family Expo and the Human Race. Education: Cornell W6HMN = Cornell reported that the first weekend class of the year passed all nine participants and that several of the attendees were present at this meeting with some of them having joined the club tonight.

Field Day: Brian N6IIY= The next committee meeting is scheduled for April 21st at the Skate Park, 10am. Brian encourages all new members to get involved.

Merchandise: Dan KK6VIQ = Dan reports that baseball caps have been ordered and will be at the next meeting. The caps are blue with the club logo and both repeater call signs and will cost \$10.

Repeater Committee: Jack K6ROW = Jack was absent so John ke5ri reported that everything was 'just fine'. Membership: Karen KK6GJW = at this time we have 164 members.

DX Team: Doug KF6LMB = The dates for the 2018 DXpo are August 17, 18, 19th in Humboldt County. More on this event next month.

VE Testing: Brian N6IIY = The next VE testing is this Saturday at the Rincon Valley Mobile Estates club house. Refer to the website for more information.

Radio Loaner Program: Joe K6AWA = Joe has a radio that he would like someone to take tonight. A power source will be provided.

Public Service: Iola kk6hre = Iola requested information on Tour d'Fox. This event was on the initial list approved by the board in January but fell off the radar. Charlie mentioned that perhaps Fred should be contacted as he may have been the one to bring the event to SCRA. Iola will follow up on this event and make sure it gets on the agenda.

8) OLD BUSINESS = None

9) NEW BUSINESS = None

10) Meeting Adjourned at 8:43pm.

Respectfully submitted,

Iola kk6hre

For absent Secretary Steve Bouchard

## Board of Directors Meeting: April 11, 2018

Call to Order: President John ke5ri, called the January 2018 Board of Directors meeting to order at 6:00pm.

Board Present: Aaron kk6zdb, Jeff KI6PBF, lola kk6hre, John ke5ri, Joe k6awa, Cornell w6hmn..

Also Present: Charlie kz6t, Dave Harrison w6ibc, Jack k6row, Doug kf6lmb, Brian n6iyy, Darryl ki6msp, Pat kg6jst, and Simone.

Absent: Steve kk6vmz & Fred ae6sf

Approval of previous minutes: Motion to accept previous minutes as published in Short Skip, by lola kk6hre, seconded by Aaron kk6zdb. Motion passed.

### Officers and Directors Reports:

Treasurer, Arron kk6zdb reported on deposits made for March totaling \$330.02 from membership and snacks.

### Committee Reports:

Community Outreach, Darryl ki6mp

Activities: Jeff ki6pbf, received requests for another trip to KPH.

Merchandise: The initial sale of SCRA ball caps was brisk. Pens are next on the list.

Education: Moving right along. Next class on September 7, 8, 9.

Programs: Jeff reports that Joe k6awa and Darryl ki6msp will provide a program on HF stations.

Repeater: Jack reports that all is well – for now.

Mini DX: Doug reports that the dates for 2018 are August 16, 17, 18, at AWA Park in Mendocino.

### Unfinished Business:

1. Brian n6iyy recommended that the club purchase the battery booster that was recently presented by Joe k6awa. Joe moved, Jeff 2nd, motion passed.

### New Business:

1. The Bike Monkey would like us to participate in the Giro Bello on June 23rd. There is a conflict with Field Day so we will have to pass on this event.

2. lola reports that next year will be the SCRA's 80th anniversary.

3. Darryl reports that new member Charles Tillman kg6ctt would like to do a Tech Net. Charles will be the Net Control for this net.

4. John ke5ri would like to do a Fox Hunt at on a Saturday or Sunday at Howarth Park. This will be a bring your own lunch type of event.

Adjournment: 6:41 pm.

Respectfully submitted:

lola Beckley kk6hre for the absent Secretary,  
Steve Bouchard KK6VMZ.

---

## Clarence Luvisi KJ6YFE, SK

On March 15, 2018, my father Clarence Luvisi KJ6YFE, died at age 77 after a three year battle with cancer.

He attempted to get an amateur radio license when he was younger, but was unable to learn code. He later became a CB enthusiast during the 1970s and 1980s.

In 2012, at the age of 72, he received his technician ticket, finally achieving his dream of becoming a ham. Our call signs are one letter apart (mine is KJ6YFD) because we were licensed on the same day at the same VE session. Later that year he upgraded to general.

Dad never operated very much, and as his pain issues got worse it became a struggle for him to come over the hill from Calistoga, even when someone else was driving. However, he had a special love for SCRA and its kind and fun loving members. He loved history and was especially fond of show and tell night, and he made an extra effort to attend holiday parties, right up to our most recent one last December.

You should all be proud of the warm and friendly atmosphere that you have created here, where inexperienced hams are welcomed and supported. You brought Dad a lot of joy during the last six years, even near the end when it was only a few days a year.

Rest in peace, OM, and 73.

# 2018 Mini-DX Ops Plan

## August 16, 17, 18

### Objectives

1. Have fun
2. This is (in general) a multi-day/night radio operating social event. There are no structured elements. You are free to operate any band, mode, or schedule you wish. Please be mindful of others using the same band.
3. Be prepared to educate other campers in the Park. There always are interested people walking through.

### Location and Directions:

1. A.W. Way Park is located along the Mattole River in rural Humboldt County. Nearest towns are Petrolia to the north, Honeydew to the south.
  - a. The address of the Park is: 36625 Mattole Road.
  - b. Coordinates are: 40d 16.0934'N 124d 13.8007'W
  - b. Maidenhead Gridsquare is: CN70vg
2. There are four routes you can take to reach the Park, three of which are paved. You can find an online Google map of the routes here. [Google Map Link](#). Just click on any of the routes on the left hand menu bar to turn them on or off.
  - a. Most seem to take Route-1 in from Weott. It is paved but does have a steep switchback descent into the town of Honeydew. Those with trailers or RV's should be careful.
  - b. Route-2 is a good alternate for the Sunday drive home. 90% paved. It will take you through a very remote area of Humboldt County where you may experience a sweet aroma in the air.
  - c. Route-3 takes you along miles of deserted beaches and through the historic Victorian town of Ferndale.
  - d. Route-4 is only for the adventurous 4-wheel driver. In 2015 we rescued a driver who had not seen another soul in 6-hours of waiting for help.
3. A. W. Way Park information:
  - a. They do not take reservations, however we have never had any problem securing multiple campsites together. The first to arrive will setup in a number of sites to help secure them for late arrivers. We usually

- secure the sites on the western edge of the Park.
- b. General Park information can be found [here](#).
- c. Big picture general map can be found [here](#).

### Organization

1. This is not a structured event. This year it occurs on the same weekend as the North American QSO SSB Party and the International Lighthouse Lightship Weekend. There are many SOTA peaks in the area. Some easier to get to than others.
2. You are free to pursue any endeavor (radio or non-radio) you have in mind such as:
  - a. Biking (mountain biking or back roads)
  - b. Hiking
  - c. Swimming in the Mattole
  - d. Drive to the Beach
  - e. Tour the Redwoods
  - f. Lounging around
  - g. Stargaze (fog permitting)
  - h. Geocaching
3. Caravan
  - a. There will be an organized caravan for the trip up on Thursday morning. We will meet at the Windsor Walmart parking lot at 0730 and depart no later than 0800. Caravan travel frequency will be 147.55. For any stragglers, we will monitor English Hill until we reach Cloverdale.
4. Food and Beverages
  - a. Each individual is responsible for their own meals. (B.L.& D), except; Friday night we will have a pot-luck style dinner. Organization of that to follow.
  - b. Shade tents will be setup for family style group meals.
  - c. No restrictions on beverages.

### Operations

1. Frequencies
  - Talk in will be on simplex. 147.55 The caravan will be using the talk-in on the complete route. Once camp is set up, someone will be monitoring the entire weekend. For late arrivals, your 2m mobile should be able to hit the camp when starting the last descent into Honeydew.

*Continued on page 13...*

...Mini DX Ops continued from page 12

- IRLP: There is a 6m IRLP Node near the top of Mt. Pierce, which is 12 miles northeast of the camp. We have asked for permission to use the node during our event. The details are:

- o Node 3572, Call sign N7HQZ
- o Location 40.4229N 124.,09772W, Heading 33.16 degrees from camp
- o Frequency 51.84, offset -500
- o PL 114.8

- The campsites are generous enough to allow plenty of room for setup and operations including tall trees with lots of branches to string 80m dipoles.

- It is **STRONGLY** urged that you operate using battery, not generator. If you need to re-charge your battery with a generator, please be mindful of others who are trying to operate in a quiet environment. Those with solar panels should have no problem Winding enough sun.

2. The campground (A.W. Way Park) is a public campground. There will be other campers. Please respect the Park's quiet time rules and keep your radio's volume turned down.

### Supplies:

1. For either route 1 or 2 you should re-fuel in Garberville, Ferndale for route 3.
2. Lunch in Garberville has always been an iffy thing. For a route-1 to route-2 detour, there is a diner in the town of Redway that is decent. (Excellent hotdogs). 3.5 stars on Yelp. Debs Diner
3. Honeydew general store has a decent inventory of supplies and groceries. Ice, soft drinks, snacks, etc., gas is sometimes available. Humboldt Gold seems always to be in stock or in use as well.

### Campground Accommodations

1. Fees are \$25 per night per campsite. Pay the iron ranger upon entering the campground. Each campsite can accommodate 2-vehicles, so if you want to cut costs, share a campsite. \$2 senior discount (62 & over) per night.
2. Toilet facilities are a short (downwind) walk away. Bring your own towels. (No paper towels are provided)
3. Hot showers are available. 3-quarters is all you need. Bring your own toiletries and towels.

4. Trash cans are setup around the campground. (Non-bear-proof type)

### Miscellaneous

1. Bugs (mosquitos) can sometimes be an issue. Come prepared to do battle.
2. Dogs are welcome.

---

## NIGHT OF NIGHTS XIX

### July 12, 2018

July 12 every year  
from 3 pm to midnight  
at the Historic RCA Coast Station KPH

In the annual "Night of Nights", historic Morse code radio station KPH returns to the air in commemoration of the closing of commercial Morse operation in the USA.

Frequency and reception report information for all stations appear at the Maritime Radio Historical Society website.

KPH, the ex-RCA coast station located north of San Francisco, returns to the air for commemorative broadcasts every year on July 12 at 5:01 pm PDT (13 July at 0001 GMT). On July 12, 1999, the last commercial Morse transmission in the U.S. was thought to have been broadcast at 5 pm PDT (13 July at 0000 GMT). Transmissions are expected to continue until at least midnight PDT (0700 GMT).

Members of the public are invited to visit the receiving station for this event. The station will be open to visitors beginning at 3 pm PDT. The station is located at 17400 Sir Francis Drake Boulevard and is on the route to the Point Reyes lighthouse. Watch for a cypress lined driveway on the right about a mile past the entry to Coast Guard station NMC. [...more...](#)





## WinLink Text (SMS) Message to Cell Phones with Reply

<https://www.telcodata.us/search-area-code-exchange-detail>

### Texting

I assume all are familiar with sending a text message to a cell phone, but some may not be aware that a text message can be sent to a cell phone using HF.

During a local blackout, where both the Internet & Cellular services are out, it is still possible to send a text or Short Message Service (SMS) to virtually any mobile phone (outside of the affected area) by using WinLink Express. In addition, the receiving mobile phone user can easily send a text reply to your message & it will be returned to you via WinLink. I think that's pretty cool.

This allows an Amateur Radio operator to send a message to friends & relatives who are not radio operators.

### Requirements

There are four (4) items you will need:

1) A WinLink account, which every amateur radio operator should consider having.

[https://www.winlink.org/content/getting\\_started\\_winlink\\_and\\_winmor](https://www.winlink.org/content/getting_started_winlink_and_winmor)

2) For Winmor (or the new VARA mode), all you need is an audio interface to your transceiver, but for other modes you may need a TNC (Terminal Node Controller). I prefer to use a Pactor modem between the Computer & the Transceiver, but that's a bit expensive.

3) The mobile (Cell) phone number that you wish to send the text message to.

4) The carrier's domain address for that mobile phone.

So the only tricky part is to find the carrier of the mobile phone you want to send a text message to. There is a short listing of common carriers at the end of the article, but there are several Internet sites that attempt to identify the carrier. Because people can now retain their phone number when switching providers, it may be a bit difficult to identify the correct carrier. Also, some AT&T accounts may be reported as Cingular, which is now AT&T. Here are a couple web sites:

<http://www.fonefinder.net/> <https://www.textmagic.com/free-tools/carrier-lookup>

### Procedure

1) Open up the Winlink program & compose a text message as you typically do, but limit the text to less than 160 characters.

2) You now need a unique TO address at the top line of the WinLink message form. This TO address is simply the 10 digit number of the mobile phone you are trying to text (area-prefix-number), followed by the carrier's domain address. Once you know the carrier for the mobile phone you are trying to text, use the table below to identify the domain address associated with the common U.S. Carriers.

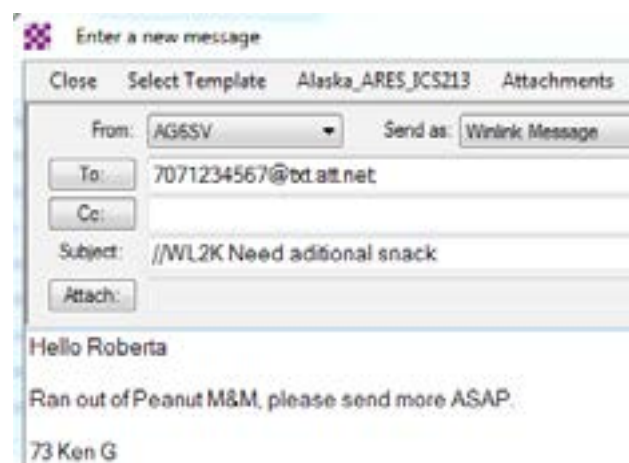
### Example

Sending a text message to a phone number 707-123-4567 which uses the AT&T service provider, the TO: line in Winlink Express message should read:

**7071234567@txt.att.net** (without any hyphens in the phone number)

I'd suggest WinLink folks try it out before you need it in an emergency. You can use the WinLink Telnet mode to first try it before going on-the-air, but the Telnet Internet service may not work during a power outage.

Here is an example of the WinLink Express message generation window.



*Continued on page 15...*



...Winlink Texting continued from page 14

Carrier Domain Address lists

(You may have to check with your mobile service carrier if not listed below)

USA Most Popular Cellular Providers  
Domain

|                   |                          |
|-------------------|--------------------------|
| AT&T              | @txt.att.net             |
| Cingular (GSM)    | @cingularme.com          |
| Cingular (TDMA)   | @mmode.com               |
| Consumer Cellular | @txt.att.net             |
| Cricket           | @sms.mycricket.com       |
| Metro PCS         | @mymetropcs.com          |
| Nextel            | @messaging.nextel.com    |
| Sprint PCS        | @messaging.sprintpcs.com |
| T-Mobile          | @tmomail.net             |
| U.S. Cellular     | @email.uscc.net          |
| Verizon Wireless  | @vtext.com               |

### SCRA LOGO CAP

AVAILABLE AT THE MAY 2<sup>ND</sup> MEETING



## What is WinLink?

WinLink is a worldwide system for sending and receiving email via HF or VHF/UHF radio. SCRA provides a VHF node on 144.910 MHz simplex. This page contains information on how to use Winlink using this VHF node.

### Why would I want to use it?

Normal VHF FM voice works well for short messages. WinLink works well for longer messages, such as shelter rosters, rider number and time lists, supplies needed lists, etc.

### What would I need to use it?

A hand-held, mobile or base station FM transceiver and antenna,

A "TNC" data interface (modem),

A computer running Windows 7 or later OS. (It is possible to use Linux, but that will not be covered here, for now.)

### How would I set up my station to use Win-Link?

Choose a TNC. Winlink Express supports several TNC models, including:

- AEA / Timewave
- Kantronics
- KISS
- Open Tracker USB
- SCS Tracker
- TAPR TNC2
- Tiny Tracker 4
- TNC-X

as well as radios having built-in TNCs, such as Kenwood TH-D7, TH-D72, TM-D700, TM-D710. TS-2000

The Sonoma County Radio Amateurs Winlink server uses a 1200 baud TNC. While there are a few 9600 baud TNCs they will not be useful with our current system.

*Continued on page 16...*

...*What is Winlink? continued from page 15*

(See Appendix, below, for information on one of these choices, the TNC-X.)

## Software

Download and install the Winlink client program "Winlink Express" from [winlink.org](http://winlink.org)

In Winlink Express, click Settings / Winlink Express Setup...

You'll see something like this...

At the upper left, enter your call sign and email address.

At some point you may need to register as a user of WinLink and set a "secure login password", which you would put in the "My Password" box. Otherwise the password box may stay blank.

About 2/3 of the way down, enter your grid square, which you can find by looking up your call sign on [QRZ.com](http://QRZ.com)

On the right side, enter your name, address, and email address.

All the rest can be left unchanged.

## How to use the system

Start Winlink Express.

Get a Winlink account:

Install Winlink Express.

Follow the account creation instructions presented by the program.

Connect with the system via radio (send a message--see below) to create your account. Do not use a password on your first connection. Your radio email address is YOURCALL@winlink.org. A message containing your password will be sent to your account. Retrieve it by connecting to the system again. Secure login will now be enforced by the CMS so, be sure to set your password in your client program.

When you have received your password, you may log on at the Winlink web page [winlink.org/user](http://winlink.org/user) to manage your account (including changing your password).

To send an email--

Enter the recipient's email address: Right-click in the "Contacts" box at the lower left. You can use ordinary email addresses.

Click on "Message" at the top and select "New Message".

Click on "To" and select a recipient from the contact list. Click on "Add to Message". When you're done adding recipients, click "Complete".

Enter a subject

Write the text of your message in the large blank area at the bottom

Click "Post to Outbox" at the top.

Click "Open Session" at the upper left, just under your call sign.

The first time you send a message you'll need to click on "Setup" at the top of the "Packet Winlink Session" Window.

Click on "Message" at the top and select "New Message".

In the box labeled "Packet TNC Type:", select "TNC-X".

Select the COM port connected to your TNC.

To find the correct COM port number, open the Control Panel / Device Manager window and look in the "Ports (COM & LPT)" section. Look for a line like USB Serial Port (COM11)

You can tell if it's the correct port by seeing that it disappears when you unplug your TNC's USB cable.

Select "Serial Port Baud: 19200. (This is the data rate used in communication between your computer and the TNC.)

In the TNC Parameters box, select "1200 Baud". (This is the data rate used over the air.)

You probably will not need to change any of the parameters shown.

Click "Update"

Set your transceiver frequency to (simplex)  
144.910 MHz

Click "Start" at the upper right.

Winlink Express will alternately key your transceiver to send several short packets, and listen for the responses from the RMS server at English Hill.

*Continued on page 16...*



*...What is Winlink? continued from page 16*

Watch the messages shown in the lower part of the Session window, and wait for "Disconnected".

Your message has been sent to the local RMS server, which will automatically forward it to one of the five world-wide "Common Message Servers", which will, in turn, send the message via the internet to your recipient(s).

During the exchange of packets between your computer and the RMS server you will be notified if there are any messages waiting for you to download. If so, another window will automatically open listing those messages.

Click on "Download Checked Messages" to tell Winlink Express to download the messages addressed to you. The messages you select will be downloaded to your computer, and will appear in your "Inbox" at the upper left of the Winlink Express window. Click on "Inbox" and the messages will be listed just to the right. Select one by clicking on it, and the message content will be shown in the lower part of this Window.

### Access from ordinary email systems

In addition to sending and receiving email through your radio, you can send email through the Winlink system from an external email system such as Gmail or Comcast by putting "//WL2K" at the beginning of the subject line and using a "to" address that consists of the intended recipient's ham call sign followed by @winlink.org

For more information

A .pdf written by Winlink.org that contains more information (especially on Winlink HF operation) is available at [Getting Started](#)

[Additional information may be found here](#)

Appendix: The TNC-X

The TNC-X ([TNC-X.com](http://TNC-X.com)) is available as an easy to build kit for \$50. The basic model connects to your computer via a serial (RS-232) port. You can purchase an add-on that provides a USB interface if you would

rather use that (and many newer computers have USB ports, but no serial ports), and you would probably want to also purchase the case. (The TNC-X, with case & USB is \$88.)

You'll need to buy or build a cable to connect your computer to the TNC. A shielded cable with two inner wires works for a computer with a serial port. An ordinary USB "A" to USB "B" cable is used if you are using the USB option.

You'll also need to buy or build a cable to connect the TNC to your radio. This also should be shielded, and requires three inner wires--one for receiver audio out to the TNC, one for TNC transmit audio to the radio, and one for the transceiver's PTT line.

If your radio is one of following, the radio connector is a 6 pin mini-DIN jack (like you used to see on PS/2 keyboards and mice), and you may purchase a cable from [TNC-X.com](http://TNC-X.com) for \$20.

**ICOM** IC-207, IC-208, IC-2720, IC-2800, IC-9100, IC-880H

**Kenwood** D-710, TM-255, TM-455, TM-733, TM-833, TM-G707, TM-V7A, TX-480, TM-V71

**Yaesu** FT-100, FT-1500, FT-300, FT-450, FT-7100, FT-7800, FT-7900, FT-8000, FT-8100, FT-817, FT-8500, FT-857, FT-8800, FT-8900, FT-897, FT-90, FT-950

Otherwise you'll need to build the cable. TNC-X.com offers a 5-pin DIN plug that mates to the TNC-X for \$2.

*Continued on page 18...*

...What is Winlink? continued from page 17

**RMS Express Properties**

**Call Signs**

My Callsign: CALL My Password: \_\_\_\_\_

Require password on connections. (Enable Secure Login.)  Show password

Callsign suffix (optional): \_\_\_\_\_ (Used for country code)

Password recovery e-mail: YOUR EMAIL ADDRESS  
(Non-Winlink e-mail address where lost password will be sent when requested)

Remove Callsign Request password be sent to recovery e-mail

**Auxiliary Callsigns and Tactical Addresses**

\_\_\_\_\_ Add Entry  
Remove Entry  
Edit Entry

My Grid Square: CM58CK Lat/Lon to Grid Square

RMS Express registration key: \_\_\_\_\_

Path to propagation forecast program: C:\shfbx\\_\_\_\_\_

**Service Codes**

PUBLIC  
(Use PUBLIC for ham call signs. Separate multiple service codes by spaces.)  
If you change service codes, you must update the list of channels.

Update Cancel

**Contact Information (Optional)**

Name: YOUR NAME

Street address 1: YOUR ADDRESS

Street address 2: \_\_\_\_\_

City: Santa Rosa

State/Province: CA

Country: USA

Postal code: 95403

Web Site URL (optional): \_\_\_\_\_

Phone number: \_\_\_\_\_

Non-Winlink e-mail: YOUR EMAIL ADDRESS

Additional information (optional): \_\_\_\_\_

Recalculate HF path quality if SFI changes more than: 30

Keep logs for 2 weeks. Keep deleted messages for 30 days.

Display list of pending incoming messages prior to download

Warn about connections to stations holding messages

Disable Peer-To-Peer Message Transfer

Allow diagnostic information to be sent to the Winlink Development Team

Automatically install field test (beta) versions of RMS Express

RMS Express Setup Dialogue Box



Sonoma County Radio Amateurs, Inc.
PO Box 116, Santa Rosa, CA 95402
(Please print this, fill it out, and send it in with your check.)

Name \_\_\_\_\_ Callsign \_\_\_\_\_ License Class \_\_\_\_\_
Mailing Address \_\_\_\_\_ Phone \_\_\_\_\_ Cell \_\_\_\_\_
City \_\_\_\_\_ Zip \_\_\_\_\_ New Application \_\_\_\_\_ Renewal \_\_\_\_\_
E-mail (if any) \_\_\_\_\_ Add to Roster (Yes)\_\_\_ (No) \_\_\_

Please Send Short Skip & Roster to my E-mail address ( )YES! ( ) No thanks

FAMILY MEMBERS, CALL SIGNS & EMAIL ADDRESSES:

1. Name \_\_\_\_\_ Callsign \_\_\_\_\_ License Class \_\_\_\_\_ Add to Roster (Yes)\_\_\_ (No) \_\_\_
E-mail \_\_\_\_\_ Short Skip & Roster to my E-mail address ( )YES! ( ) NO
2. Name \_\_\_\_\_ Callsign \_\_\_\_\_ License Class \_\_\_\_\_ Add to Roster (Yes)\_\_\_ (No) \_\_\_
E-mail \_\_\_\_\_ Short Skip & Roster to my E-mail address ( )YES! ( ) NO
3. Name \_\_\_\_\_ Callsign \_\_\_\_\_ License Class \_\_\_\_\_ Add to Roster (Yes)\_\_\_ (No) \_\_\_
E-mail \_\_\_\_\_ Short Skip & Roster to my E-mail address ( )YES! ( ) NO
4. Name \_\_\_\_\_ Callsign \_\_\_\_\_ License Class \_\_\_\_\_ Add to Roster (Yes)\_\_\_ (No) \_\_\_
E-mail \_\_\_\_\_ Short Skip & Roster to my E-mail address ( )YES! ( ) NO

SCRA Dues: The renewal date for SCRA dues is January 1st. Dues are \$20/year for individual, \$30/year for families, and \$15/year for youth (under 18).

PRO-RATED DUES for new members only: Reduce standard dues rate by \$5.00 per quarter. (ie. Second Quarter, April – June \$15.00; Third Quarter – July – September \$10.00; Fourth Quarter, October – December \$5.00 to end of December of current year or \$25.00 through December of the following year)

I WOULD LIKE MORE INFORMATION ABOUT:

( ) Public Service Events ( ) Acting as club Net Control Station
( ) ARES Emergency Services ( ) Helping with VEC license exams
( ) Taking a Novice or Technician class ( ) Field day, other operating
( ) Teaching a Novice or Technician class ( ) Helping with Short Skip Newsletter
( ) Taking an upgrade class ( ) Other \_\_\_\_\_
( ) Teaching an upgrade class

SCRA DUES: Individual \$20, Family \$30, Youth, under 18, \$15 + \_\_\_\_\_
Name Badge (complete info below)\$10 each Circle: Magnet or Clip attachment + \_\_\_\_\_

Name Badge Information Fill in exactly as you want it to appear on your badge.
Callsign \_\_\_\_\_ First Name \_\_\_\_\_ City \_\_\_\_\_
Callsign \_\_\_\_\_ First Name \_\_\_\_\_ City \_\_\_\_\_
Callsign \_\_\_\_\_ First Name \_\_\_\_\_ City \_\_\_\_\_

SCRA Patch \$5/ea + \_\_\_\_\_
SCRA T-Shirt \$11.50/ea Size: s m l xl xxl + \_\_\_\_\_

Total: \$ \_\_\_\_\_

(Please make checks payable to SCRA. Send to SCRA, Box 116, Santa Rosa, 95402)



# HAM RADIO OUTLET

WWW.HAMRADIO.COM

**MULTI-STORE BUYING POWER!**

## ICOM®



**IC-7600**  
All Mode Transceiver



**IC-7200**  
HF Transceiver



**IC-7100**  
All Mode Transceiver



**ID-5100A Deluxe**  
VHF/UHF Dual Band Digital Transceiver



**ID-51A Plus**  
VHF/UHF Dual Band Transceiver

## KENWOOD



**TS-590SG**  
HF/50MHz Transceiver



**TM-D710G**  
2M/440 DualBand



**TM-V71A**  
2M/440 DualBand



**TM-281A**  
2 Mtr Mobile



**TH-D74A**  
2M/220/440 HT

## YAESU The radio



**FT-991A**  
HF/VHF/UHF Transceiver



**FTDX1200**  
100W HF + 6M Transceiver



**FT-450D**  
100W HF + 6M Transceiver



**FTM-400XD**  
2M/440 Mobile



**FT-60R**  
2M/440 5W HT



- **RETAIL LOCATIONS** – Store hours 10:00AM - 5:30PM - Closed Sunday
- **PHONE** – Toll-free phone hours 9:30AM - 5:30PM
- **ONLINE** – WWW.HAMRADIO.COM
- **FAX** – All store locations
- **MAIL** – All store locations

**HRO is family owned and operated by active hams!**

ANAHEIM, CA  
(800) 854-6046

OAKLAND, CA  
(877) 892-1745

PORTLAND, OR  
(800) 765-4267

PHOENIX, AZ  
(800) 559-7388

MILWAUKEE, WI  
(800) 558-0411

WOODBIDGE, VA  
(800) 444-4799

PLANO, TX  
(877) 455-8750

BURBANK, CA  
(877) 892-1748

SAN DIEGO, CA  
(877) 520-9623

DENVER, CO  
(800) 444-9476

ATLANTA, GA  
(800) 444-7927

NEW CASTLE, DE  
(800) 644-4476

SALEM, NH  
(800) 444-0047

ONLINE STORE  
WWW.HAMRADIO.COM

\*Except 60M Band. \*\*Frequency coverage may vary. Refer to owner's manual for exact specs. \*\*Optional UX-9100 required. QST March 2017. The Icom logo is a registered trademark of Icom Inc. Toll-free including Hawaii, Alaska and Canada. Call will be routed to the nearest store. All HRO 800-lines can assist you. If the first line you call is busy, you may call another. AZ, CA, CO, GA, TX, VA, WI residents add sales tax. Prices, specifications and descriptions subject to change without notice.



## SHORT SKIP ARCHIVES AVAILABLE

Mike, AD6YB, has set up archives for past and present issues of Short Skip. They are available on the Website, log into Members Area, Short Skip, click on the first sentence. Mike has scanned in the old paper issues and it is really interesting to browse through them to see what those guys were doing. There are historical photos as well. An important record of our history and ham radio in general. Good Stuff.

[\(Click Me\)](#)

## DIDN'T FIND WHAT YOU NEEDED?

If you are looking for something more on a topic or your topic of interest hasn't been covered lately, let us know. Something you'd like to see in Short Skip?

Contact the editor, [shortskipeditor@gmail.com](mailto:shortskipeditor@gmail.com) or for general questions and /or suggestions, [k6son@arrl.net](mailto:k6son@arrl.net)

---

## SHORT SKIP NEEDS YOUR INPUT

### SHORT SKIP ARTICLES WANTED

Dave, KI6UGB, our Short Skip editor is always looking for articles of interest. They can be technical, a good (or bad) experience that other members may learn from, hints or kinks that worked for you in solving a problem, or just about anything ham radio related. Send your contributions to Dave at [shortskipeditor@gmail.com](mailto:shortskipeditor@gmail.com)

